

HADFRAME.CO.UK
PERFECT COMMERCIAL AND RESIDENTIAL STEEL SECTIONS

INFILL PANELS OR FRAMES

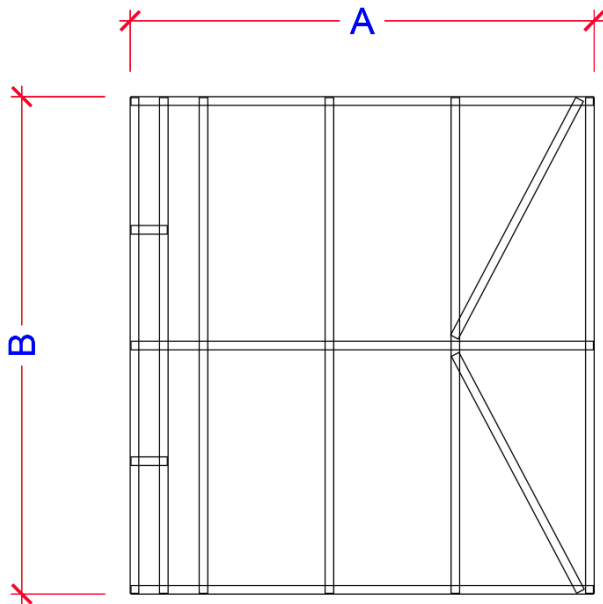
INFILL PANELS OR FRAMES

Infill panels or frames is the generic name given to the structure that is built between the floors of the primary structural frame of a building and provides support for the cladding system of the external envelope.

HadFrame have 6 different types of standard Infill frames, which are featured in this brochure. If you need a custom frame to a custom shape, please do not hesitate to contact us.

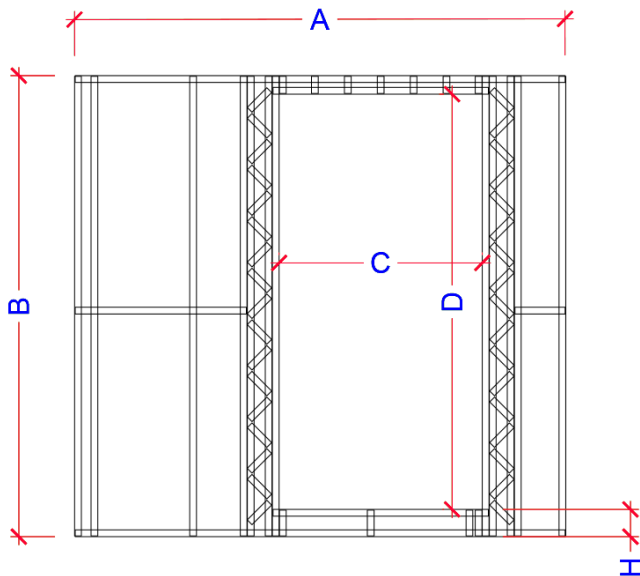
Please ensure that when providing measurements a tolerance has been accounted for between the structural opening and internal infill frame dimensions to allow fitting these frames into the opening.

HAD001 – Stud walling

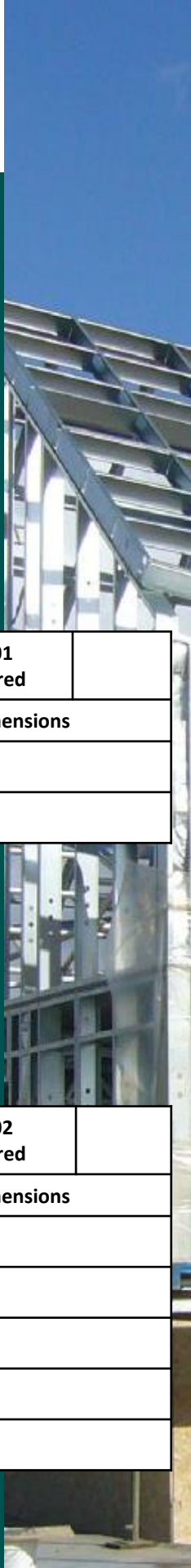


No. of HAD001 Panels Required	
Dimensions	
A	
B	

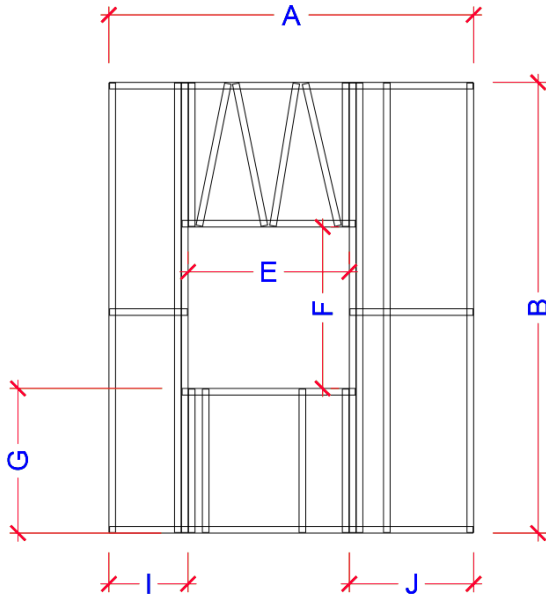
HAD002 – Stud walling with doorway



No. of HAD002 Panels Required	
Dimensions	
A	
B	
C	
D	
H	

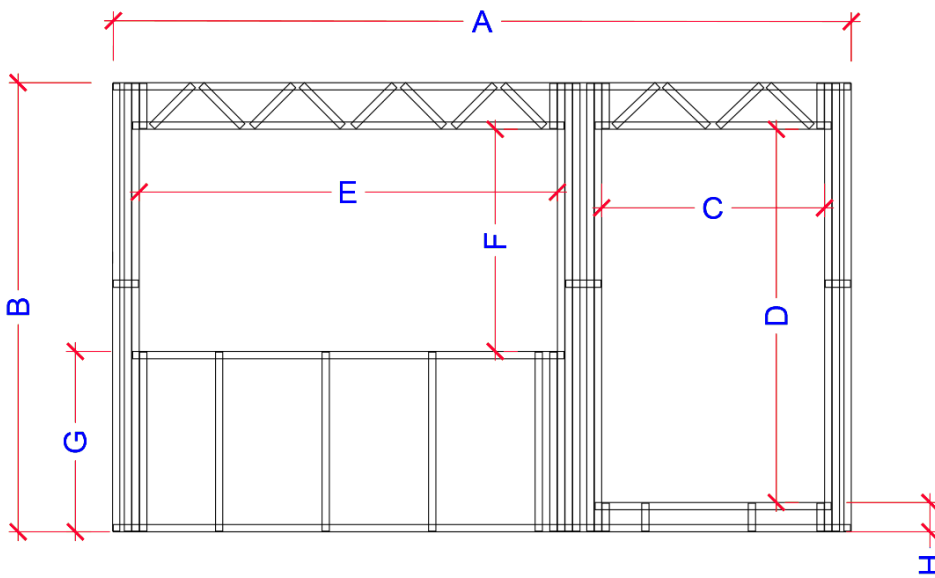


HAD003 – Stud walling with window



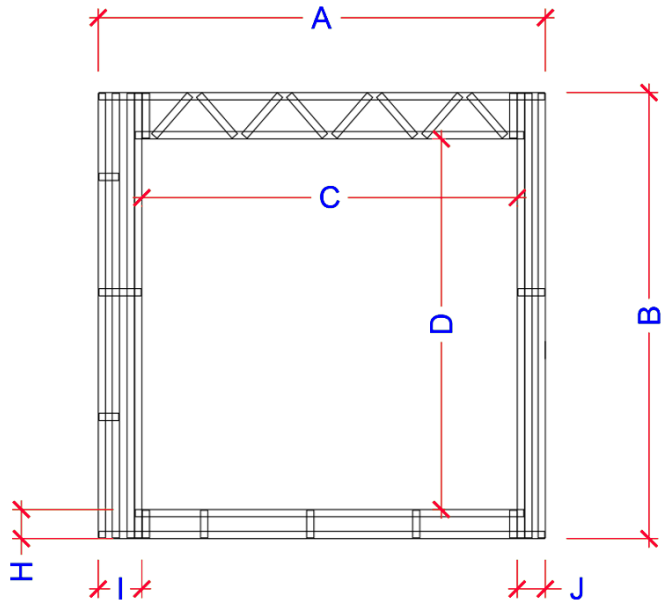
No. of HAD003 Panels Required	
Dimensions	
A	
B	
E	
F	
G	
I	
J	

HAD004 – Stud walling with doorway and window



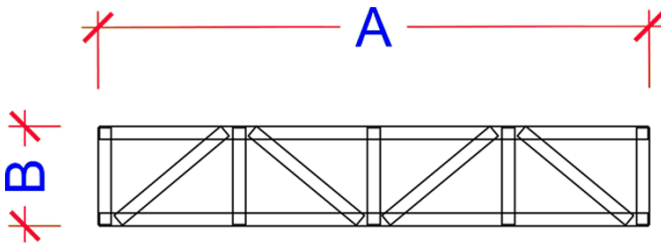
No. of HAD004 Panels Required	
Dimensions	
A	
B	
C	
D	
E	
F	
G	
H	

HAD005 – Stud walling – Lining only (for curtain walling)



No. of HAD005 Panels Required	
Dimensions	
A	
B	
C	
D	
H	
I	
J	

HAD006 – Half height parapet stud wall



No. of HAD006 Panels Required	
Dimensions	
A	
B	

HADFRAME

Unit 4a Hadham Industrial Estate

Little Hadham

Ware

SG11 2DY

01279 771238

sales@hadframe.co.uk